

## DATA SHEET



DEVICE NUMBER : LI-HB-120W

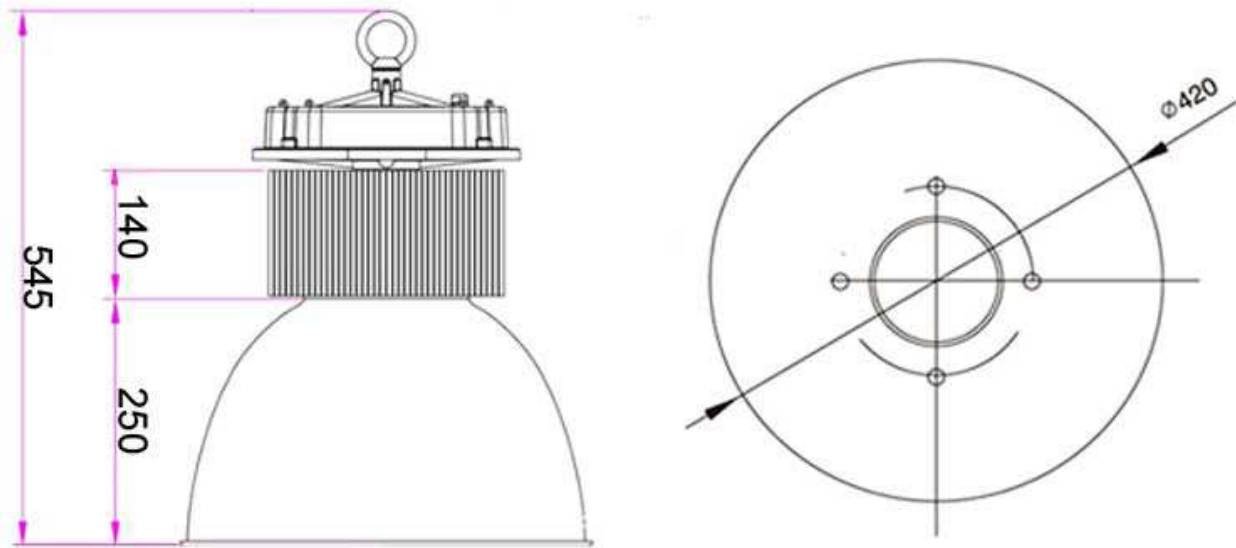
### ● Features:

1. Light source: 1x120W integrated LED (45mil Bridgelux LED chip)
2. Total Power Consumption: 120-130 Watt
3. Efficiency: >91%
4. PF>0.96
5. Size:  $\Phi 420 \times H 545 \text{mm}$
6. Working Voltage: 85-265V AC
7. LED View Angle( $2\theta$ ): 60 degree
8. Material Fixture: Aluminum: ZL102 Mn0.2~0.5,  $\text{mg} \leq 0.25$ ,  $\text{Si} \leq 0.65$
9. With Meanwell driver, stable quality and high efficiency

### ● Applications:

Apply to workshop, factory building, warehouse, highway toll stations, gas stations, supermarkets, exhibition halls, stadiums and other places of lighting required.

### ● Dimensions(mm):



Notes:

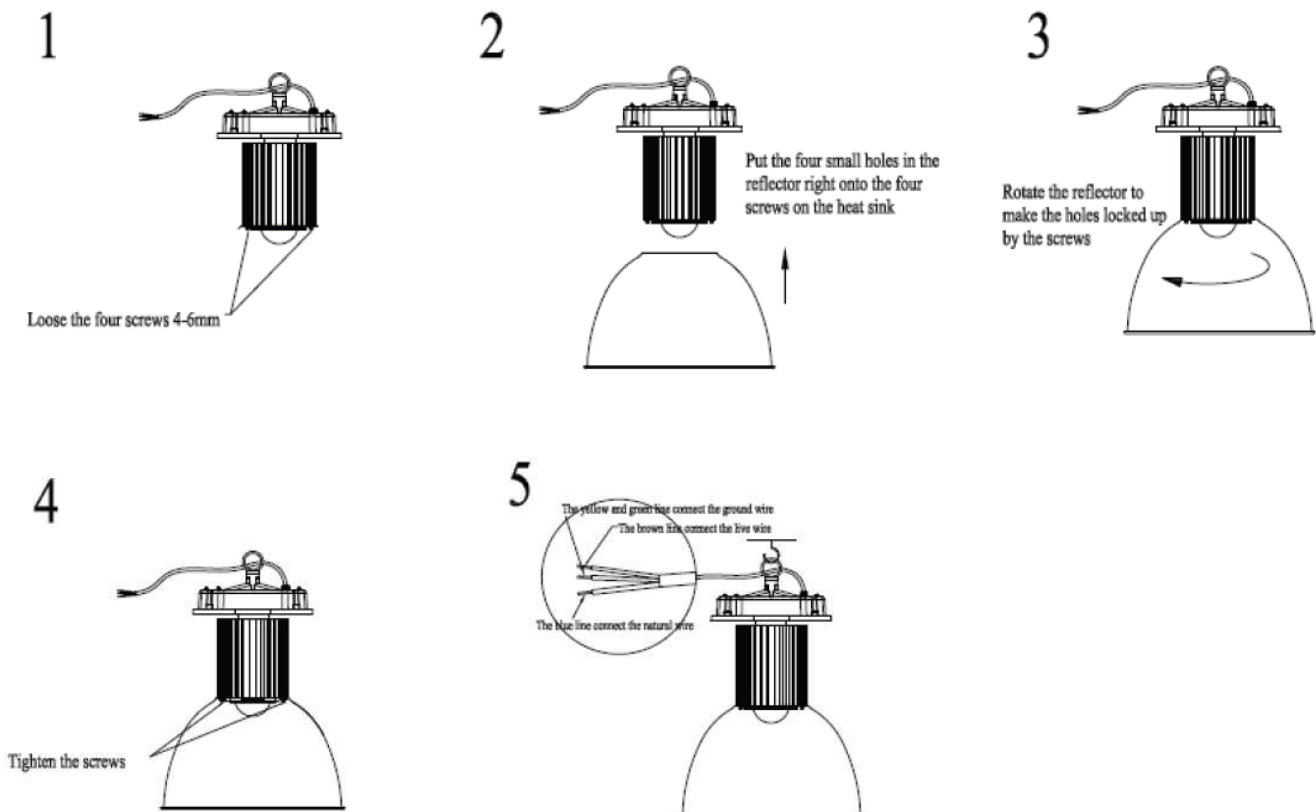
1. All dimensions are in millimeters
2. Tolerance is  $\pm 0.5\text{mm}$  unless other specified.

● Parameter:

<b>Input voltage</b>	AC85V-265V	
<b>Frequency Range</b>	50HZ-60Hz	
<b>Power factor</b>	$>0.96$	
<b>LED working voltage</b>	DC 30-36V	
<b>LED consumption</b>	120W	
<b>Total Power consumption</b>	120-130W	
<b>LED luminous efficiency</b>	90-100lm/W	
<b>Lamp's efficiency</b>	$>91\%$	
<b>Color temperature</b>	Warm white	2800-3200K
	Neutral white	4000-4500K
	Pure white	6000-7000K
<b>Color Index</b>	WW	$R_a > 78$
	NW, PW	$R_a > 82$
<b>LED Junction temperature</b>	$\leq 75^\circ\text{C}$	

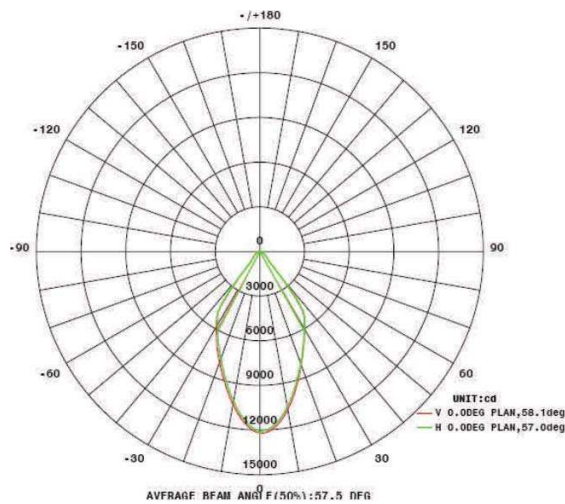
Light design	LED + reflector secondary light distribution	
Working temperature	-20°C — +50°C	
Storage temperature	-40°C — +65°C	
IP Grade	IP54	
Working life-span	>50,000H	
Connect wire	Brown	L
	Blue	N
	Yellow/Green	G
Beam angle	60 deg	

● **Installation Instruction:**



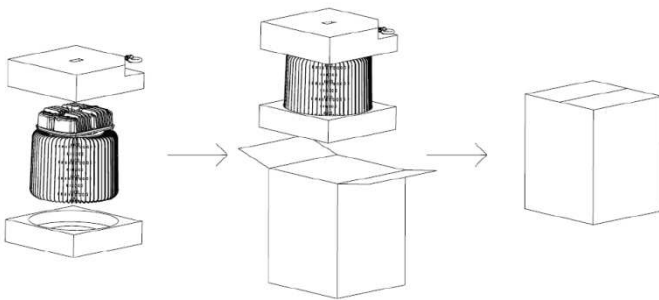
● **Optical Data:**

<b>Lumens</b>	10560		
<b>Beam View Angle</b>	60°		
<b>Candela</b>	12545 cd		
<b>Optical Lens efficiency</b>	0.9		
<b>Distance (m)</b>	<b>LUX</b>	<b>Spread (m)</b>	<b>Coverage Area</b>
1	11290.27	1.16	1.05
4	705.65	4.62	16.76
7	230.42	8.09	51.32
10	112.91	11.55	104.72
12	78.41	13.86	150.8

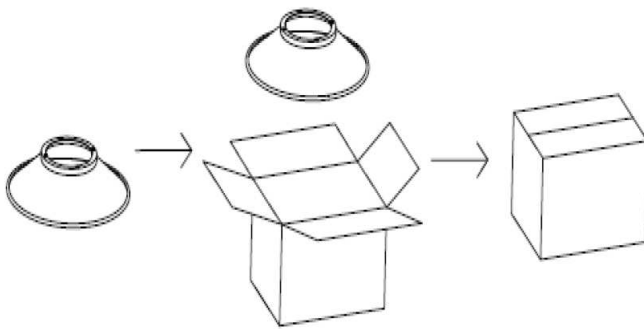


### ● Package Method :

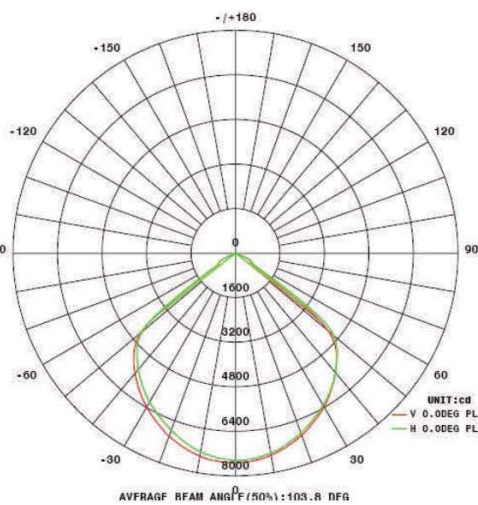
#### Lamp Body



#### Reflector



- |
- 1. M
- 2. C
- 3. C
- 4. E
- 5. V
- t
- t



f before  
 n high tra  
 heatsink.

solution f  
 ectly op  
 three-c  
 n to yell

