

DATA SHEET



DEVICE NUMBER : LI-HB-100W

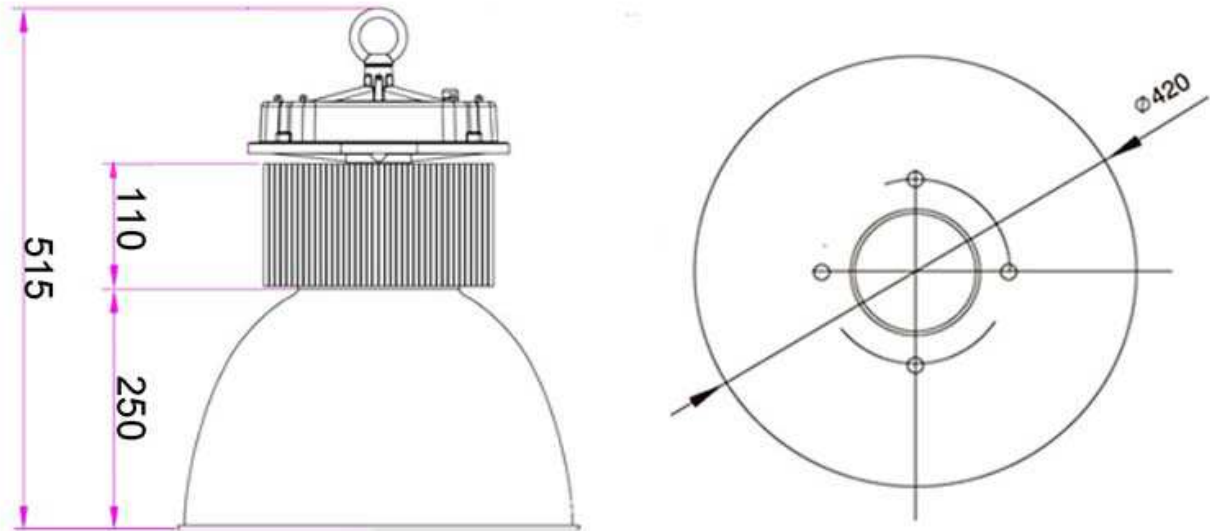
● Features:

1. Light source: 1x100W integrated LED (45mil Bridgelux LED chip)
2. Total Power Consumption: 100-105 Watt
3. Efficiency: >91%
4. PF>0.96
5. Size: $\Phi 420 \times H 515 \text{mm}$
6. Working Voltage: 85-265V AC
7. LED View Angle(2θ): 60 degree
8. Material Fixture: Aluminum: ZL102 Mn0.2~0.5, mg \leq 0.25, Si \leq 0.65
9. With Meanwell driver, stable quality and high efficiency

● Applications:

Apply to workshop, factory building, warehouse, highway toll stations, gas stations, supermarkets, exhibition halls, stadiums and other places of lighting required.

● **Dimensions(mm):**



Notes:

1. All dimensions are in millimeters
2. Tolerance is $\pm 0.5\text{mm}$ unless other specified.

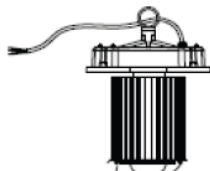
● **Parameter:**

Input voltage	AC85V-265V	
Frequency Range	50HZ-60Hz	
Power factor	>0.96	
LED working voltage	DC 30-36V	
LED consumption	100W	
Total Power consumption	100-105W	
LED luminous efficiency	90-100lm/W	
Lamp's efficiency	$>91\%$	
Color temperature	Warm white	2800-3200K
	Neutral white	4000-4500K
	Pure white	6000-7000K

Color Index	WW	Ra>78
	NW, PW	Ra>82
LED Junction temperature	≤ 75°C	
Light design	LED + reflector secondary light distribution	
Working temperature	-20°C——+50°C	
Storage temperature	-40°C——+65°C	
IP Grade	IP54	
Working life-span	> 50,000H	
Connect wire	Brown	L
	Blue	N
	Yellow/Green	G
Beam angle	60 deg	

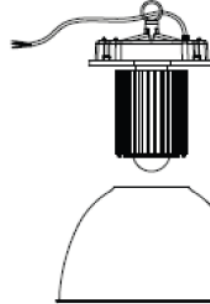
● Installation Instruction:

1



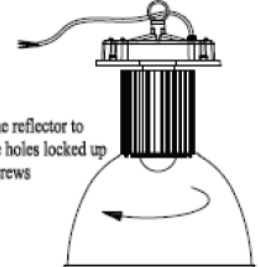
Loose the four screws 4-6mm

2



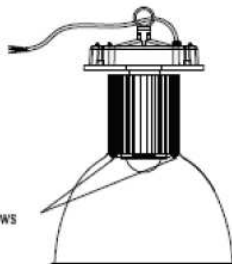
Put the four small holes in the reflector right onto the four screws on the heat sink

3



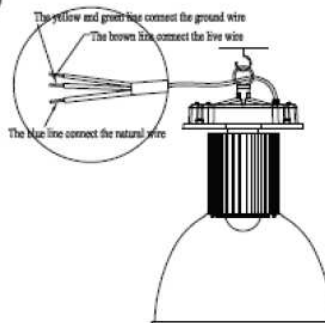
Rotate the reflector to make the holes locked up by the screws

4



Tighten the screws

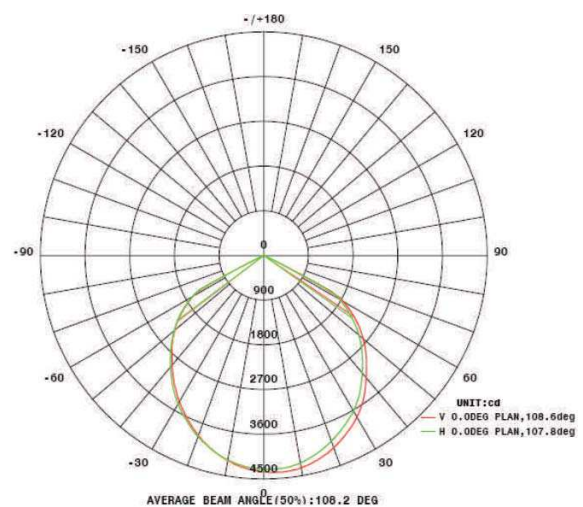
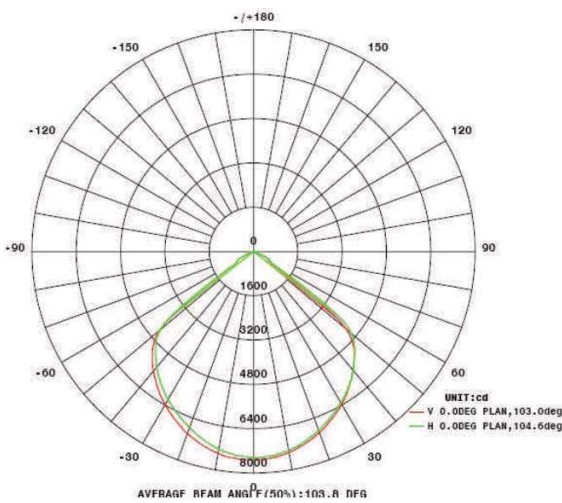
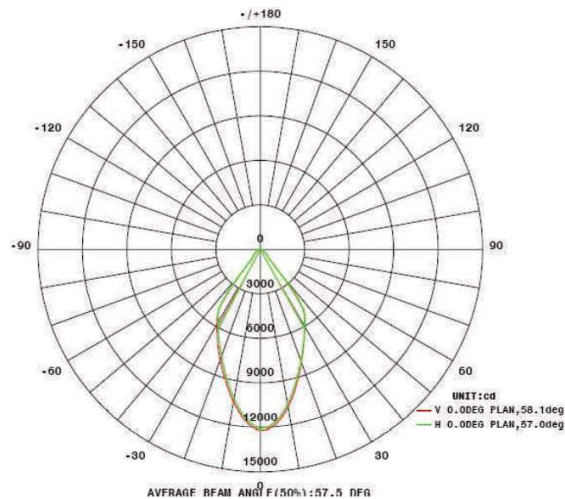
5



The yellow and green line connect the ground wire
The brown line connect the live wire
The blue line connect the neutral wire

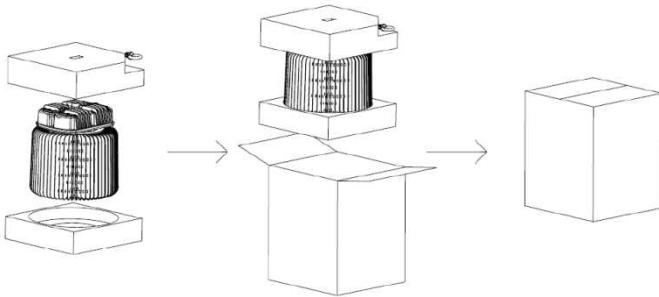
● **Optical Data:**

Lumens	8800		
Beam View Angle	60°		
Candela	10454 cd		
Optical Lens efficiency	0.9		
Distance (m)	LUX	Spread (m)	Coverage Area
1	9408.56	1.16	1.05
4	588.04	4.62	16.76
7	192.02	8.09	51.32
10	94.09	11.55	104.72
12	65.34	13.86	150.8

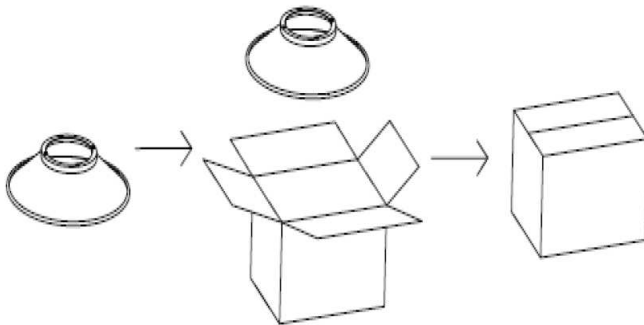


● Package Method :

Lamp Body



Reflector



● Installation Caution:

1. Make sure the power has been turned off before maintenance.
2. Clean the lens cover regularly to maintain high transmission of light.
3. Clean up the dust from the reflector and heatsink regularly to keep sound heat dispersion.
4. Be careful not to use water or corrosive solution for cleaning, preferably with a dry cloth.
5. When install or replace power supply, directly open the back cover with a screwdriver, then remove the power supply. There are three-core cable of AC power, red corresponds to the power of “L”, blue to “N”, and green to yellow to “G”.